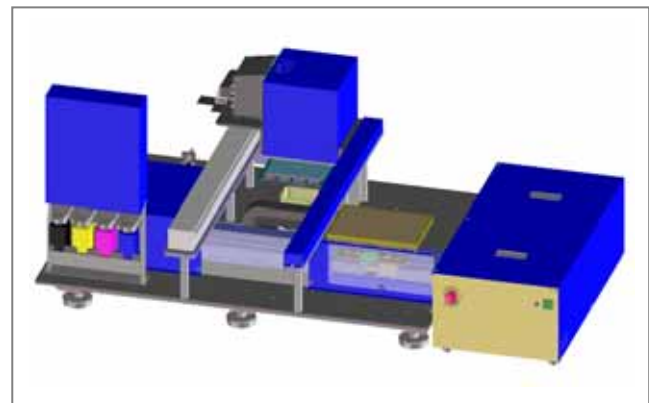
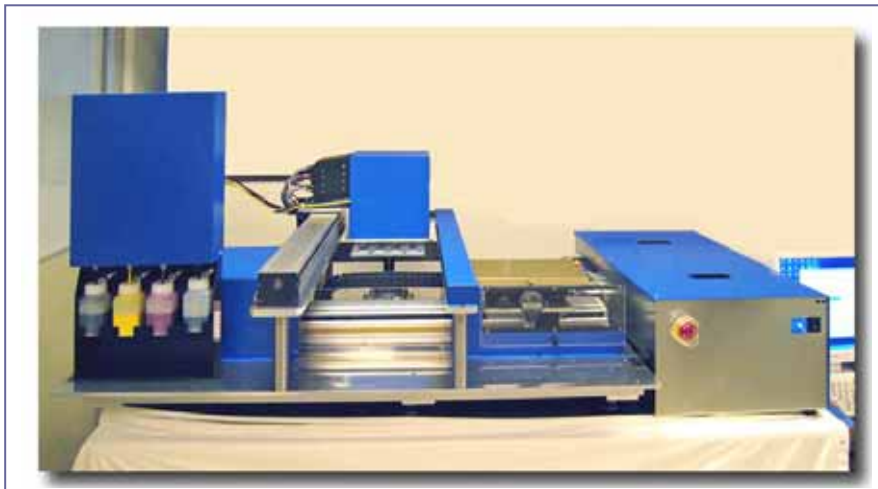


# KEGON • CS600X

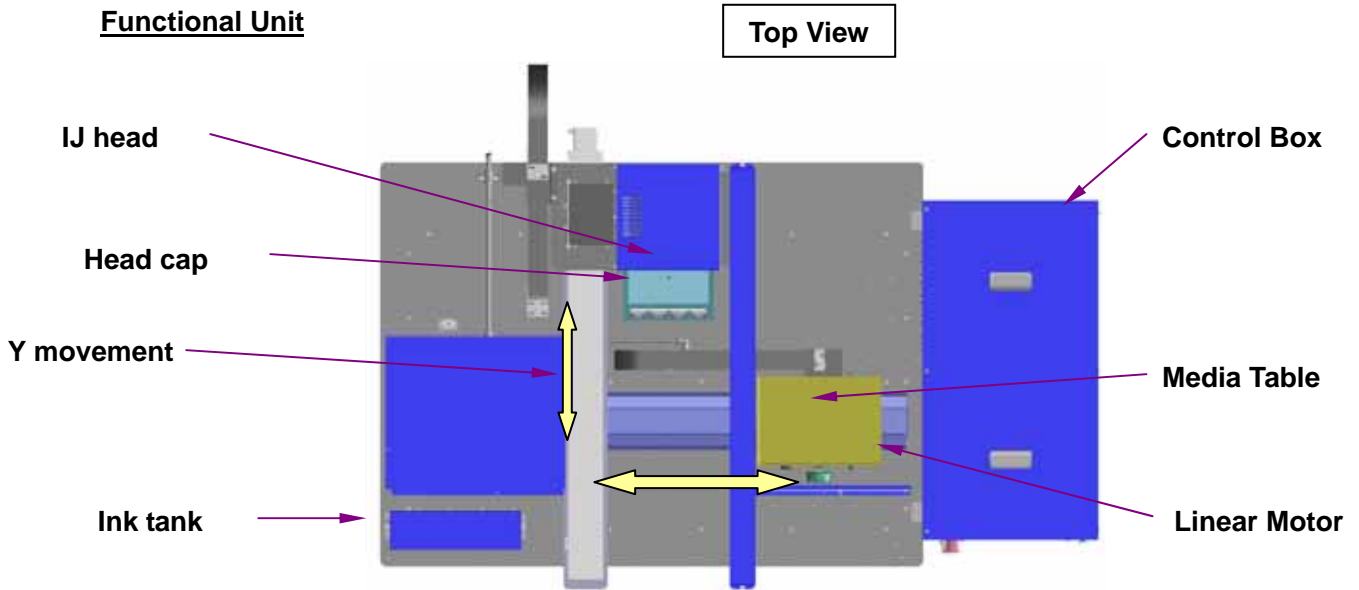
High speed and accurate Inkjet Print System

## Multi Purpose Cut Sheet Application

- High Speed 50m/min. max
- High quality image generation by 600 dpi 6 gray scale
- Full color print by CMYK color ink
- Print size A4 (210mm x 297mm)
- 108 mm print width by 1 band pass
- High positioning accuracy with high print speed



## Functional Unit



## Basic Specification

Items	Specification
Print System	Piezo-drive DOD head for adopted ink
Number of colors	4 colors (CMYK)
Print image resolution	600 dpi x 600 dpi
Print width / band	108mm
Gray Scale	6 gray scale ( in case of 6 gray scale print speed become half)
Ink	Aqueous and UV ink
Print Speed	846, 635, 423, 127mm/sec 4 step change
Head and Stage distance	0 to 10mm variable
Printable Data Format	Bitmap data (BMP)
Image Size	108 mm x 297 mm / band
Stage Size	Max. A4 size
Media Fix	Vacuum pump
Head Heater	60 deg. C with internal heater
Ink Bottle	250mL bottle
Operation Panel	Key input for GUI panel on PC
Interface	USB2.0 (BMP data transfers from host PC).
Weight	200Kg (approx.)
Dimension (appx.)	Body 1000(D) X 1350(W) X 650(H) mm Control Box 850(D) X 450(W) X 300(H) mm
Power supply	AC100V 300VA
Environment conditions	15 to 30 / 30% to 70% RH

### Notes:

The specifications shown may be changed without notice for improvement.

All the printers shown are built to order.

Windows is a trademark of Microsoft Corporation; KEGON is Trade mark of Afrit